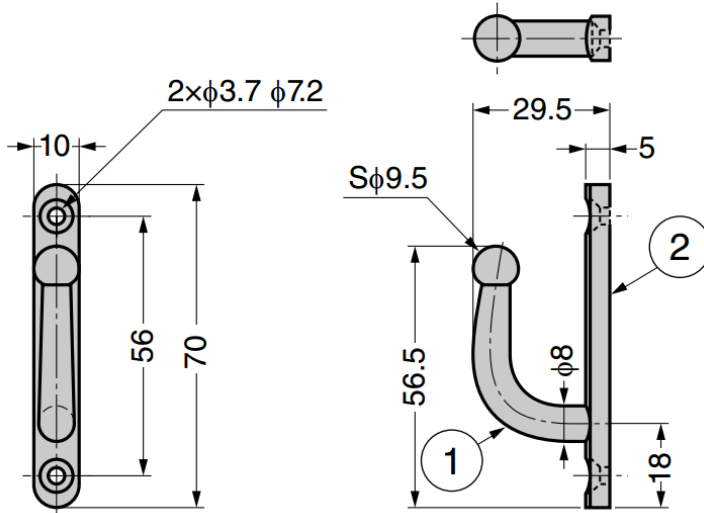


GKB-F-70 Stainless Steel Hook

Features

- Rounded tip provides safety

| No. | Part Name | Material | Finish |
|-----|---------------|--------------------------|----------|
| ① | Hook | Stainless Steel (SUS304) | Polished |
| ② | Counter Plate | Stainless Steel (SUS303) | |



Parts Included

- Raised countersunk head tapping screw 3.5×20 (SUS)

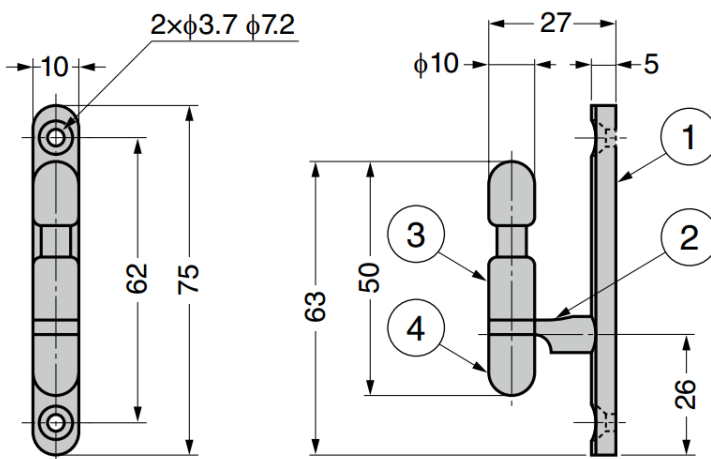
| |
|----------|
| Part No. |
| GKB-F-70 |

GKB-F-75 Stainless Steel Hook

Features

- Rounded tip provides safety

| No. | Part Name | Material | Finish |
|-----|-----------------|--------------------------|----------|
| ① | Plate | Stainless Steel (SUS303) | Polished |
| ② | Arm | Stainless Steel (SUS304) | |
| ③ | Upper Hook Part | Stainless Steel (SUS303) | |
| ④ | Lower Hook Part | | |



Parts Included

- Raised countersunk head tapping screw 3.5×20 (SUS)

| |
|----------|
| Part No. |
| GKB-F-75 |